

DESCRIPTION

AMC MODEL SWN-1170-3DR-A04 IS A REFLECTIVE SINGLE POLE THREE THROW SWITCH MODULE DESIGNED TO OPERATE OVER THE FULL 0.1 TO 18 GHz FREQUENCY RANGE WITH LOW INSERTION LOSS AND HIGH ISOLATION.

SPECIFICATIONS

- FREQUENCY RANGE: 0.1 TO 18 GHz
- INSERTION LOSS: 0.1-2 GHz: 2.75 dB MAXIMUM
2-18 GHz: 2.75 dB MAXIMUM
- ISOLATION: 0.1-2 GHz: 60 dB MINIMUM
2-18 GHz: 70 dB MINIMUM
- VSWR: 2.0:1
- RISE TIME: 10 nSec TYPICAL, 15 nSec MAXIMUM
- FALL TIME: 10 nSec TYPICAL, 15 nSec MAXIMUM
- DELAY ON: 75 nSec TYPICAL, 100 nSec MAXIMUM
- DELAY OFF: 75 nSec TYPICAL, 100 nSec MAXIMUM
- POWER INPUT: (CW)+20 dBm (STANDARD), +10 dBm (HIGH SPEED)
- SURVIVAL POWER: 1 WATT CW, 10 WATTS PEAK 1 uSec
- CONTROL: TTL LOGIC "0" = ON
TTL LOGIC "1" = OFF
- POWER SUPPLY: +5V @ 150 mA MAXIMUM
-5V @ 75 mA MAXIMUM
- CONNECTORS:
RF: SMA FEMALE
CONTROL: SOLDER PIN
- SIZE: 1.25" (L) x 1.25" (W) x 0.70" (H)

OPTIONS:

- A04: EXTENDED FREQUENCY TO 100 MHz

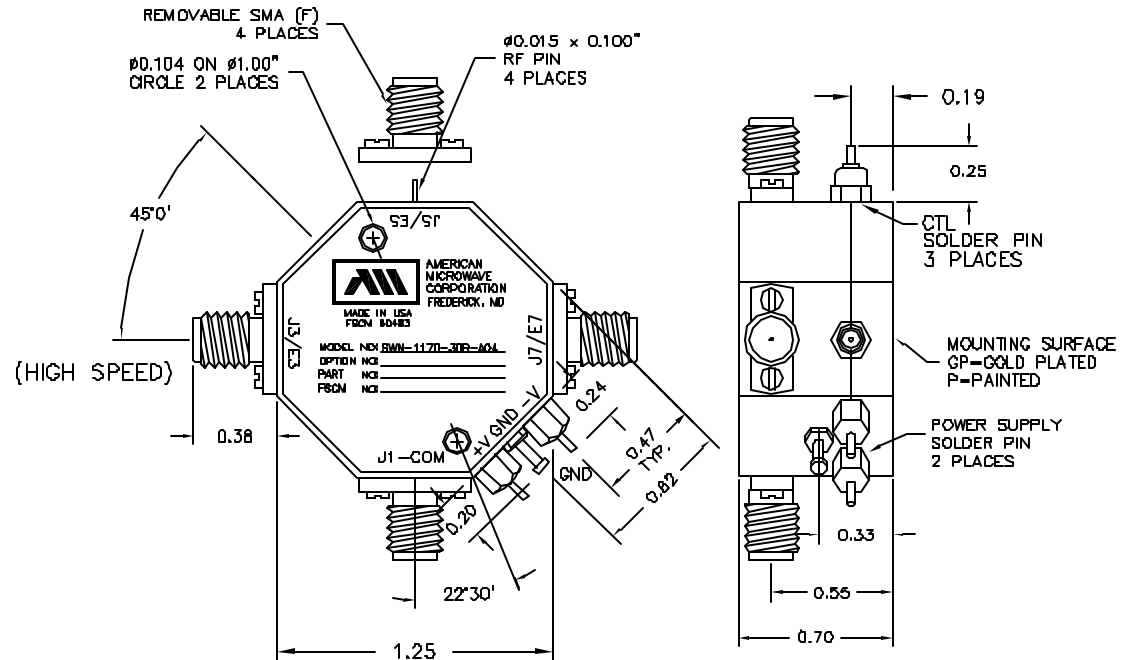
ENVIRONMENTAL RATINGS:

- TEMPERATURE: -55°C TO +85°C (OPERATING)
-65°C TO +125°C (STORAGE)
- HUMIDITY: MIL-STD-202F, METHOD 103B COND. B
- SHOCK: MIL-STD-202F, METHOD 213B COND. B
- VIBRATION: MIL-STD-202F, METHOD 204D COND. B
- ALTITUDE: MIL-STD-202F, METHOD 105C COND. B
- TEMPERATURE CYCLE: MIL-STD-202F, METHOD 107D COND. A

NOTE: SPECIFICATIONS WILL VARY OVER OPERATING TEMPERATURE
NOTE: THE ABOVE SPECIFICATIONS ARE SUBJECT TO CHANGE OR REVISION

ALL DIMENSIONS ARE IN INCHES
TOLERANCES:
XXX ±0.020
XXX ±0.010

REVISIONS				
ZONE	REV.	DESCRIPTION	DATE	APPROVED
	-	ORIGINAL RELEASE JOB# 509215	9/19/05	



AMERICAN MICROWAVE CORPORATION

7311-G GROVE ROAD
FREDERICK, MARYLAND 21704 USA
TEL: 301-662-4700 FAX: 301-662-4938
WEBSITE: www.americanmicrowavecorp.com
E-MAIL: sales@americanmicrowavecorp.com
ISO 9001:2000 CERTIFIED

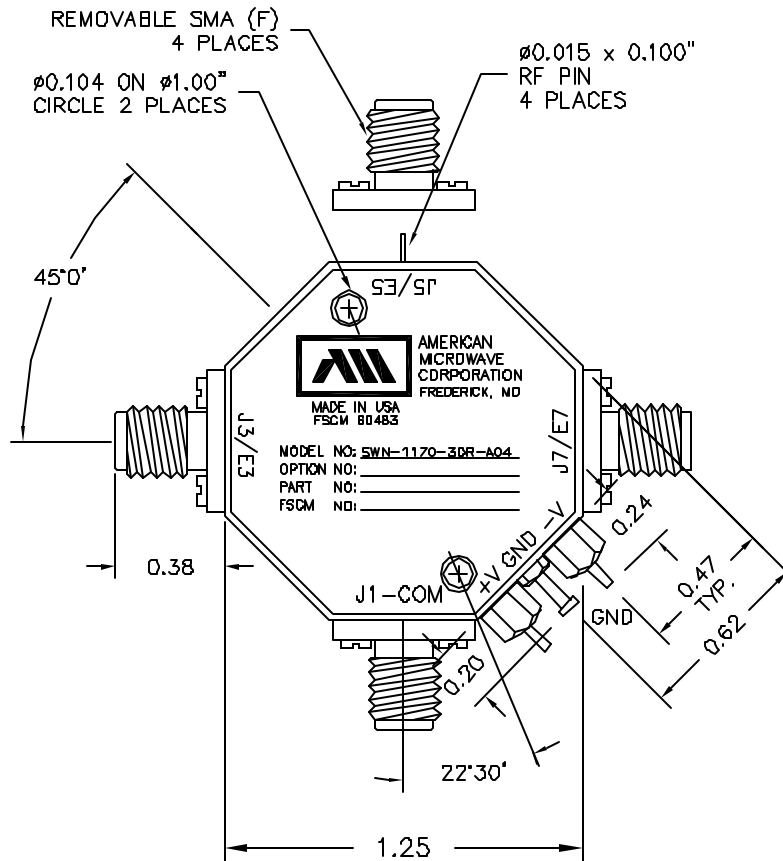


APPROVALS		DATE	TITLE	
DRAWN		9/19/05	PRODUCT FEATURE	
CHECKED			SWN-1170-3DR-A04	
ISSUED			0.1-18 GHz, SINGLE POLE THREE THROW SWITCH	
SCALE	N:S	SIZE	FSCM NO.	DWG NO.
		A	60483	100-7494
			SHEET	1 OF 4

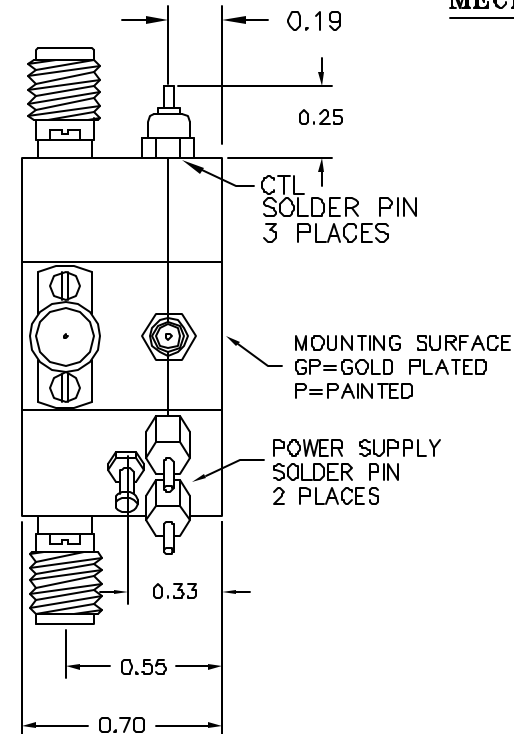
DESCRIPTION

AMC MODEL SWN-1170-3DR-A04 IS A REFLECTIVE SINGLE POLE THREE THROW SWITCH MODULE DESIGNED TO OPERATE OVER THE FULL 0.1 TO 18 GHz FREQUENCY RANGE WITH LOW INSERTION LOSS AND HIGH ISOLATION.

REVISIONS				
ZONE	REV.	DESCRIPTION	DATE	APPROVED
	-	ORIGINAL RELEASE JOB# 509215	9/19/05	



MECHANICAL OUTLINE



AMERICAN MICROWAVE CORPORATION

7311-G GROVE ROAD
FREDERICK, MARYLAND 21704 USA
TEL: 301-662-4700 FAX: 301-662-4938
WEBSITE: www.americanmicrowavecorp.com
E-MAIL: sales@americanmicrowavecorp.com
ISO 9001:2000 CERTIFIED



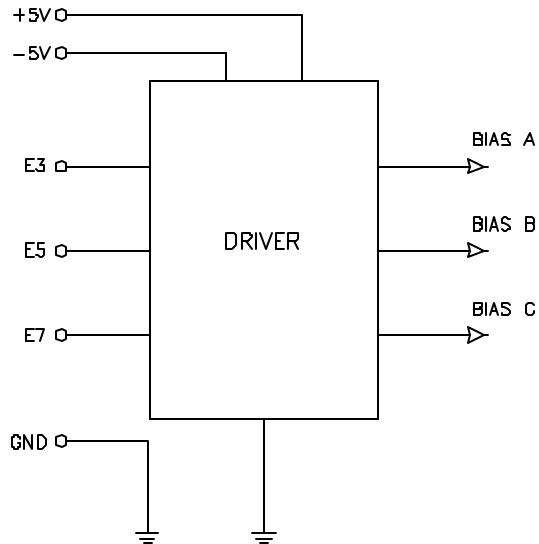
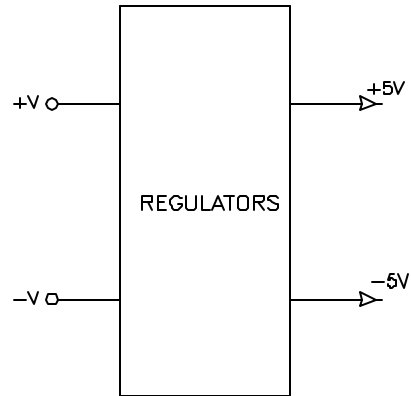
ALL DIMENSIONS ARE IN INCHES
TOLERANCES:
X.XX ±0.020
X.XXX ±0.010

APPROVALS		DATE	TITLE		
DRAWN	<i>FDS</i>	9/19/05	MECHANICAL OUTLINE SWN-1170-3DR-A04		
CHECKED			SIZE	FSCM NO.	DWG NO.
ISSUED			A	60483	100-7494
			SCALE	N:S	SHEET 2 OF 4

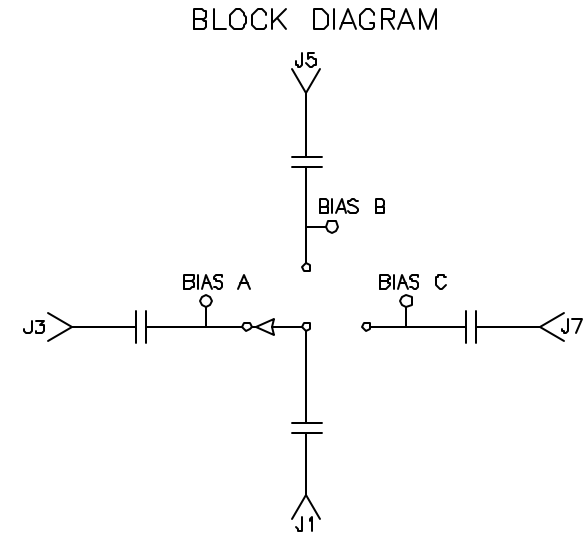
DESCRIPTION

AMC MODEL SWN-1170-3DR-A04 IS A REFLECTIVE SINGLE POLE THREE THROW SWITCH MODULE DESIGNED TO OPERATE OVER THE FULL 0.1 TO 18 GHz FREQUENCY RANGE WITH LOW INSERTION LOSS AND HIGH ISOLATION.

REVISIONS				
ZONE	REV.	DESCRIPTION	DATE	APPROVED
	-	ORIGINAL RELEASE JOB# 509215	9/19/05	



FUNCTIONAL BLOCK DIAGRAM



AMERICAN MICROWAVE CORPORATION

7311-G GROVE ROAD
 FREDERICK, MARYLAND 21704 USA
 TEL: 301-662-4700 FAX: 301-662-4938
 WEBSITE: www.americanmicrowavecorp.com
 E-MAIL: sales@americanmicrowavecorp.com
 ISO 9001:2000 CERTIFIED



APPROVALS		DATE	TITLE	
DRAWN		9/19/05	FUNCTIONAL BLOCK DIAGRAM	
CHECKED			SWN-1170-3DR-A04	
ISSUED			0.1-18 GHz, SINGLE POLE THREE THROW SWITCH	
SCALE	N:S	SIZE	FIG. NO.	DWG. NO.
		A	60483	100-7494
			SHEET	3 OF 4